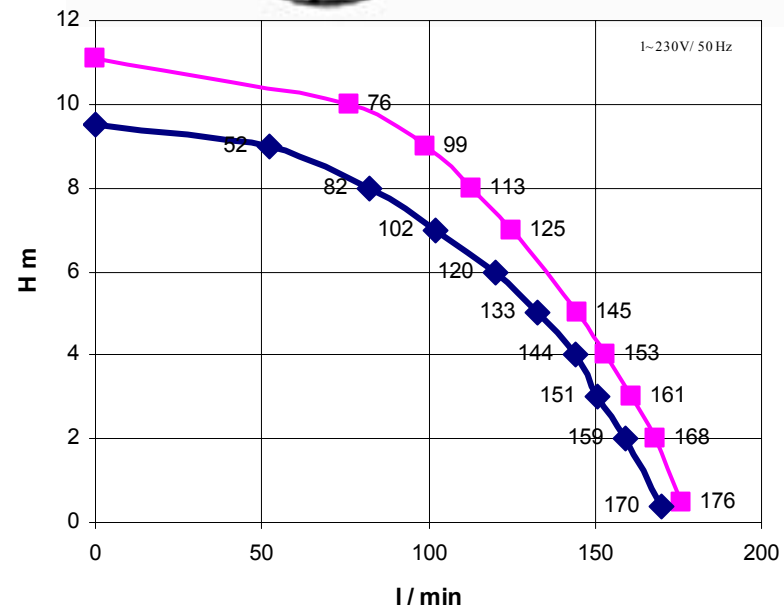




ASH 170 WASH PUMPS

1/4

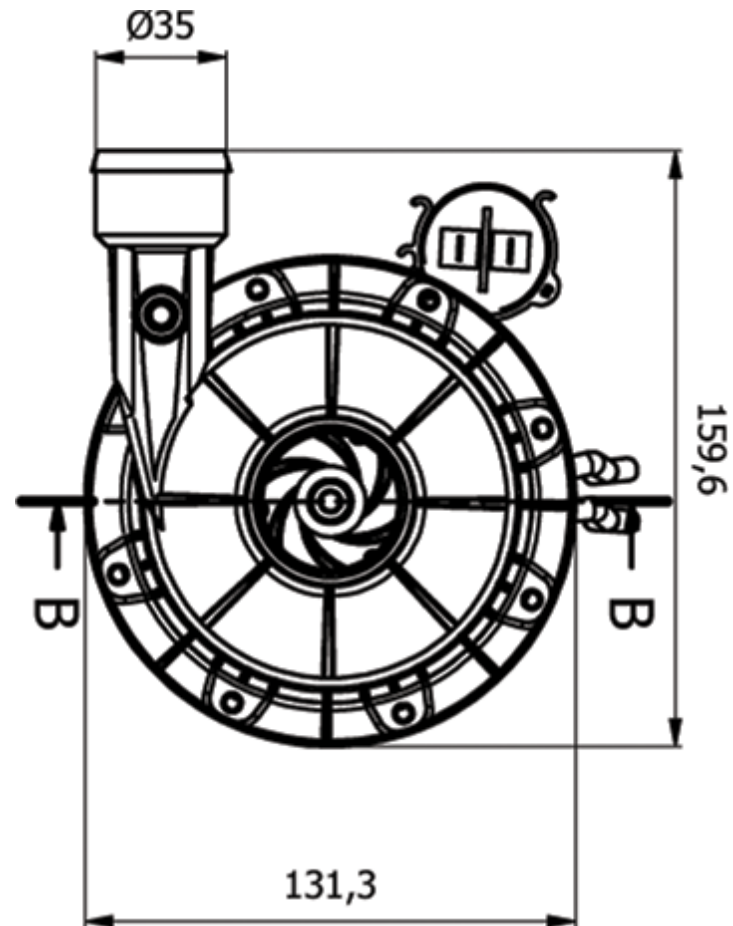
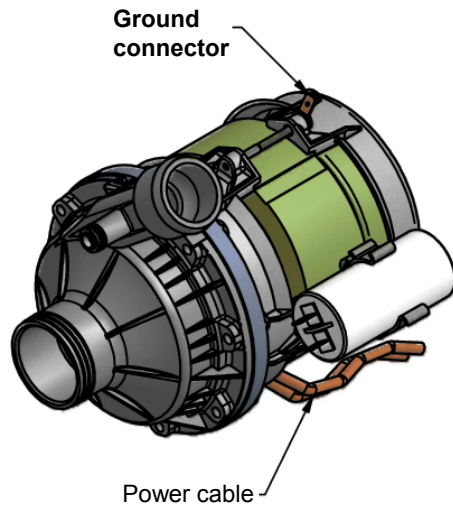
Technical data		ASH 170-H40	ASH 175V-H60
Motor power	P ₁ - kW	0,4	0,5
Tension / Frequency	Hz	~1/230/50	~1/230/50
Power consumption	Amp	1,82	2,64
RPM		2800	2800
Capacitor	μF	6	12
Thermal overload	°C	160	160
Protection class	IP	00	00
Insulation class		F	F
Construction data		ASH 170-H40	ASH 175V-H60
Pump casing		PP 30GF	
Impeller		NORYL 20GF	
Motor shaft		AISI 416	
Mechanical seal		carbon / ceramic	
Dimensions		ASH 170-H40	ASH 175V-H60
Suction side diametre	Ø mm	44,5	44,5
Pressure side diametre	Ø mm	35	35
Overall length	mm	see page nr. 3/4	
Overall width	mm	131,3	131,3
Overall height	mm	159,6	159,6
Cable length	mm	95	95





ASH WASH PUMPS

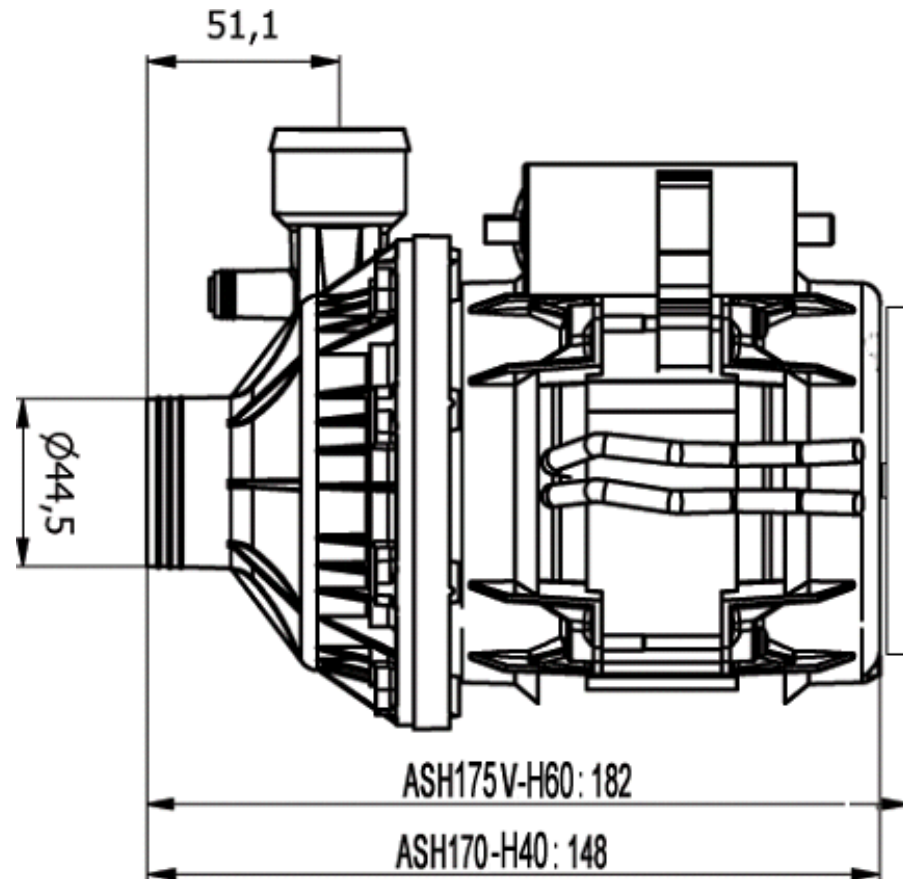
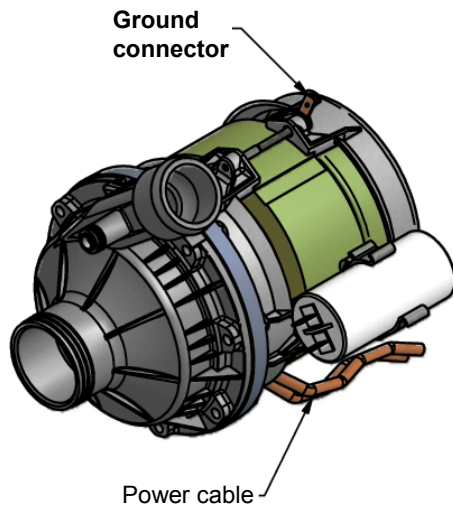
2/4





ASH WASH PUMPS

3/4





ASH WASH PUMPS

4/4

